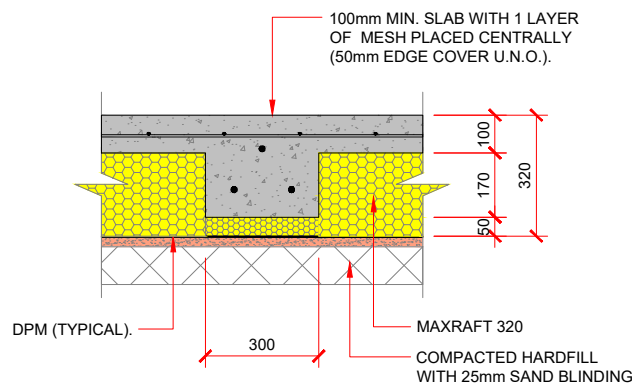


**Important Note**

All MAXRaft slabs require a site specific PS1 and design by a suitably qualified engineer. The below detail is an example only and must be read and constructed as per the engineers final drawings.



MAXRAFT 320MM INTERNAL FOOTING DETAIL

**Get In Touch**

quotes@maxraft.co.nz | 0800 MAXRAFT (629 7238) | www.maxraft.co.nz