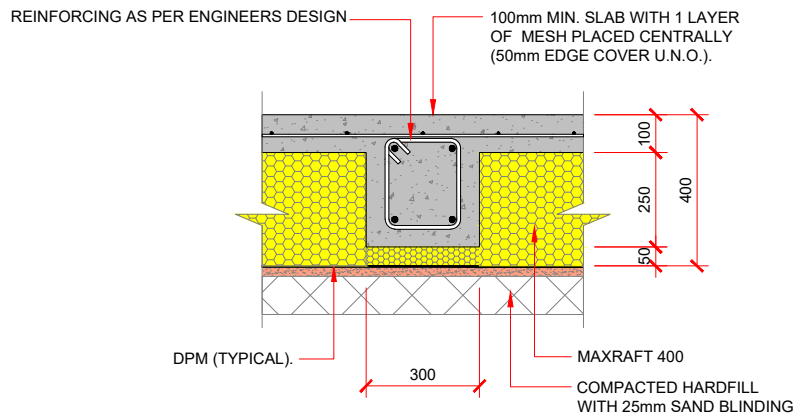


Important Note

All MAXRAFT slabs require a site specific PS1 and design by a suitably qualified engineer. The below detail is an example only and must be read and constructed as per the engineers final drawings.



MAXRAFT 400MM INTERNAL FOOTING DETAIL

Get In Touch

quotes@maxraft.co.nz | 0800 MAXRAFT (629 7238) | www.maxraft.co.nz