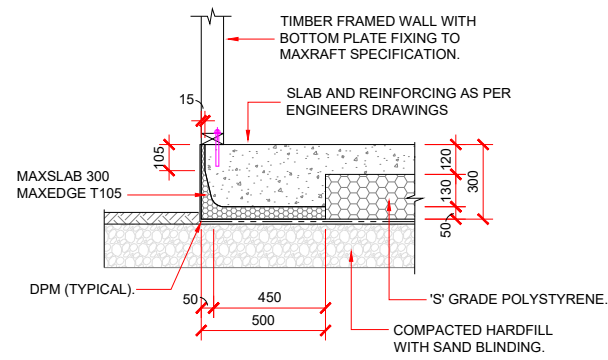
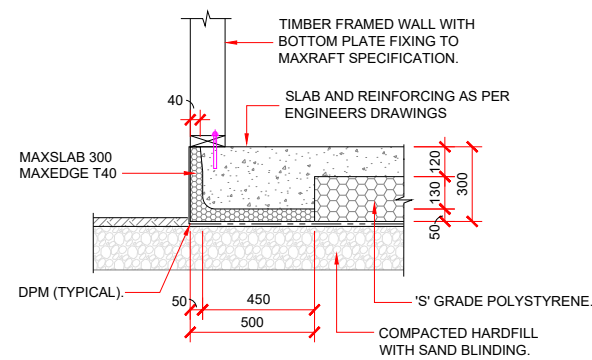


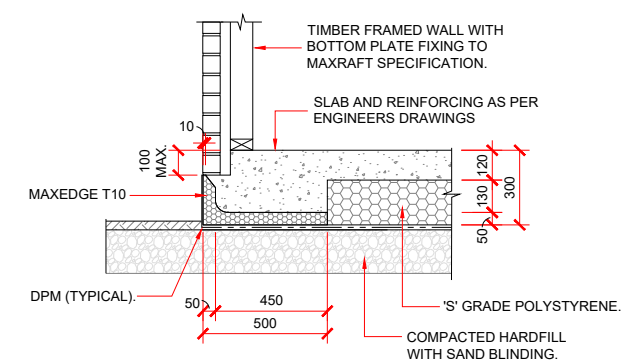
120mm CONCRETE + 180mm POLY



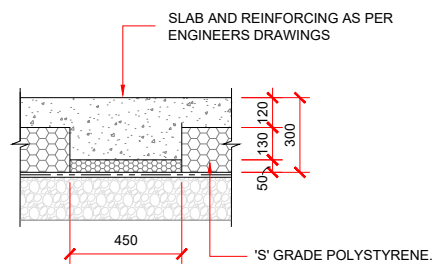
EXTERNAL FOOTING DETAIL
MAXEDGE T105 - 90mm FRAMING



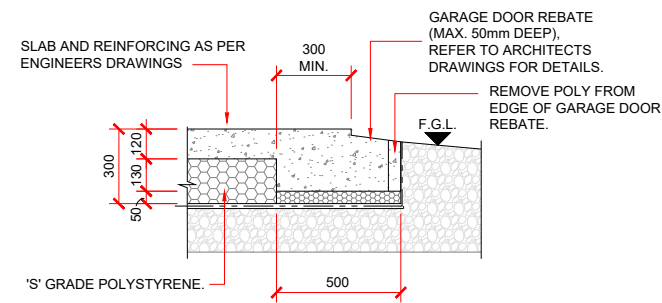
EXTERNAL FOOTING DETAIL
MAXEDGE T40 - 140mm FRAMING



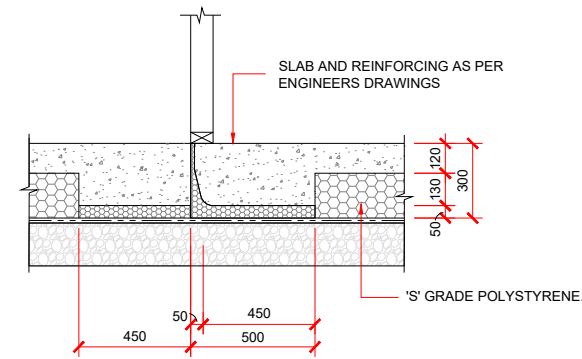
BRICK / STONE VENEER
REBATE DETAIL



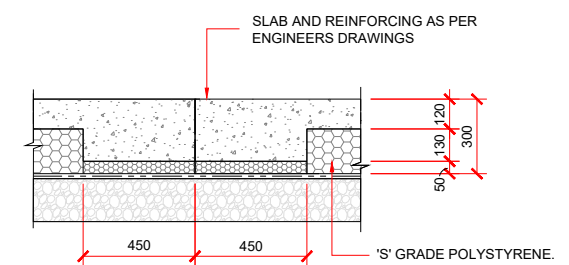
INTERNAL FOOTING DETAIL



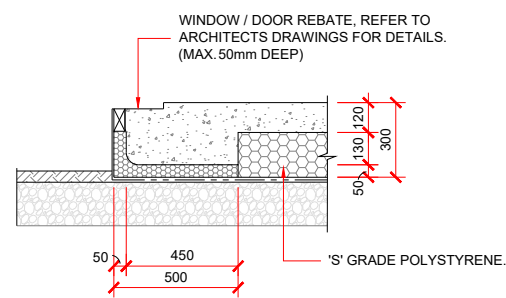
GARAGE DOOR REBATE DETAIL



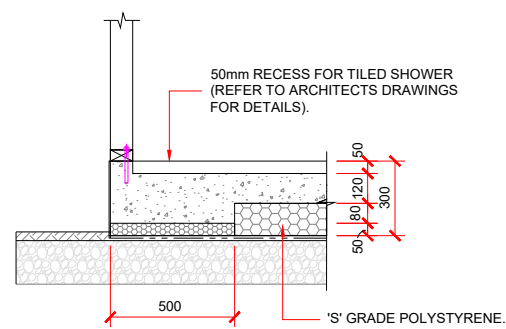
THERMAL BREAK



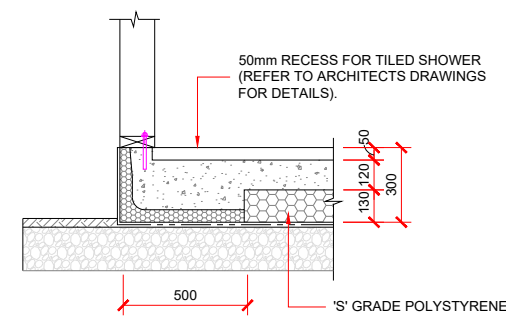
FREE JOINT / CONTROL JOINT DETAIL



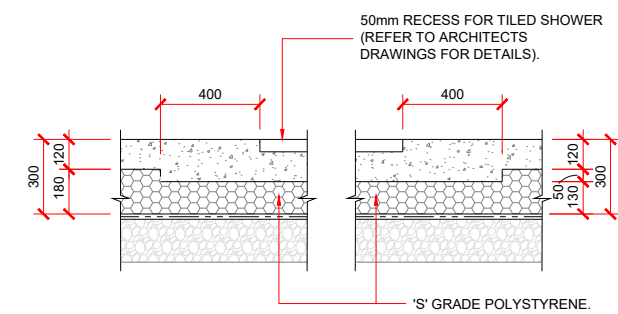
JOINERY REBATE DETAIL



SHOWER RECESS DETAIL - 90mm FRAMING.



SHOWER RECESS DETAIL - 140mm FRAMING.



SHOWER RECESS DETAIL.

MAXSLAB 300 (120 + 180)

DATE : 29/11/2023